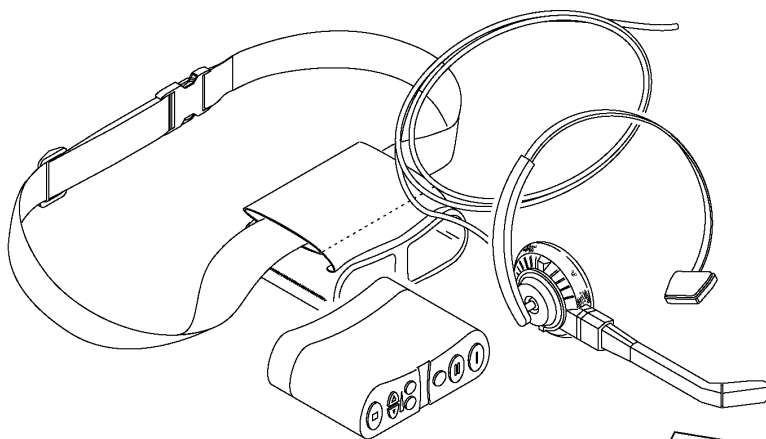


3M

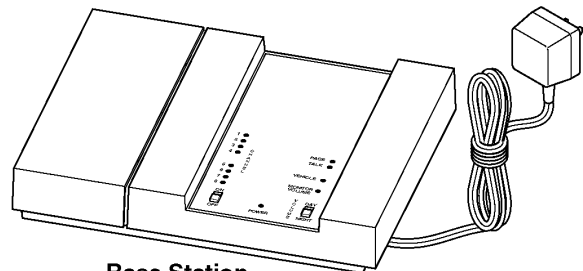
Belt Pack Intercom System

Model C860

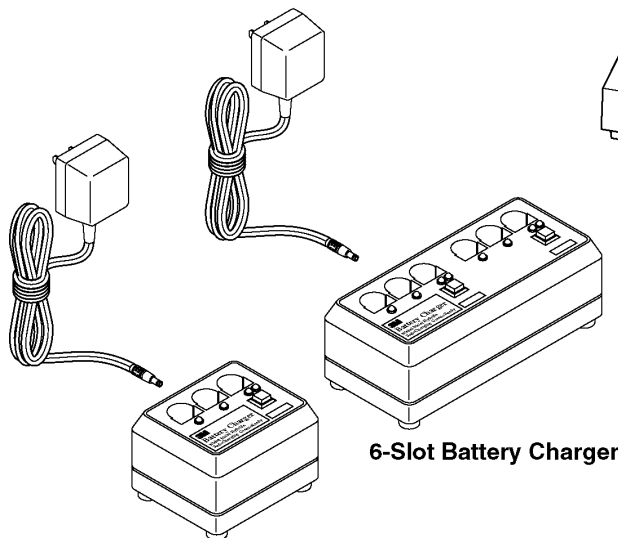
Replacement Parts and Service



Headset & Belt Pack

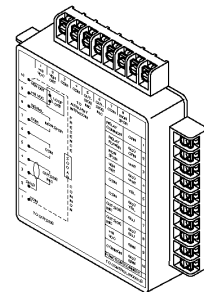


Base Station



6-Slot Battery Charger

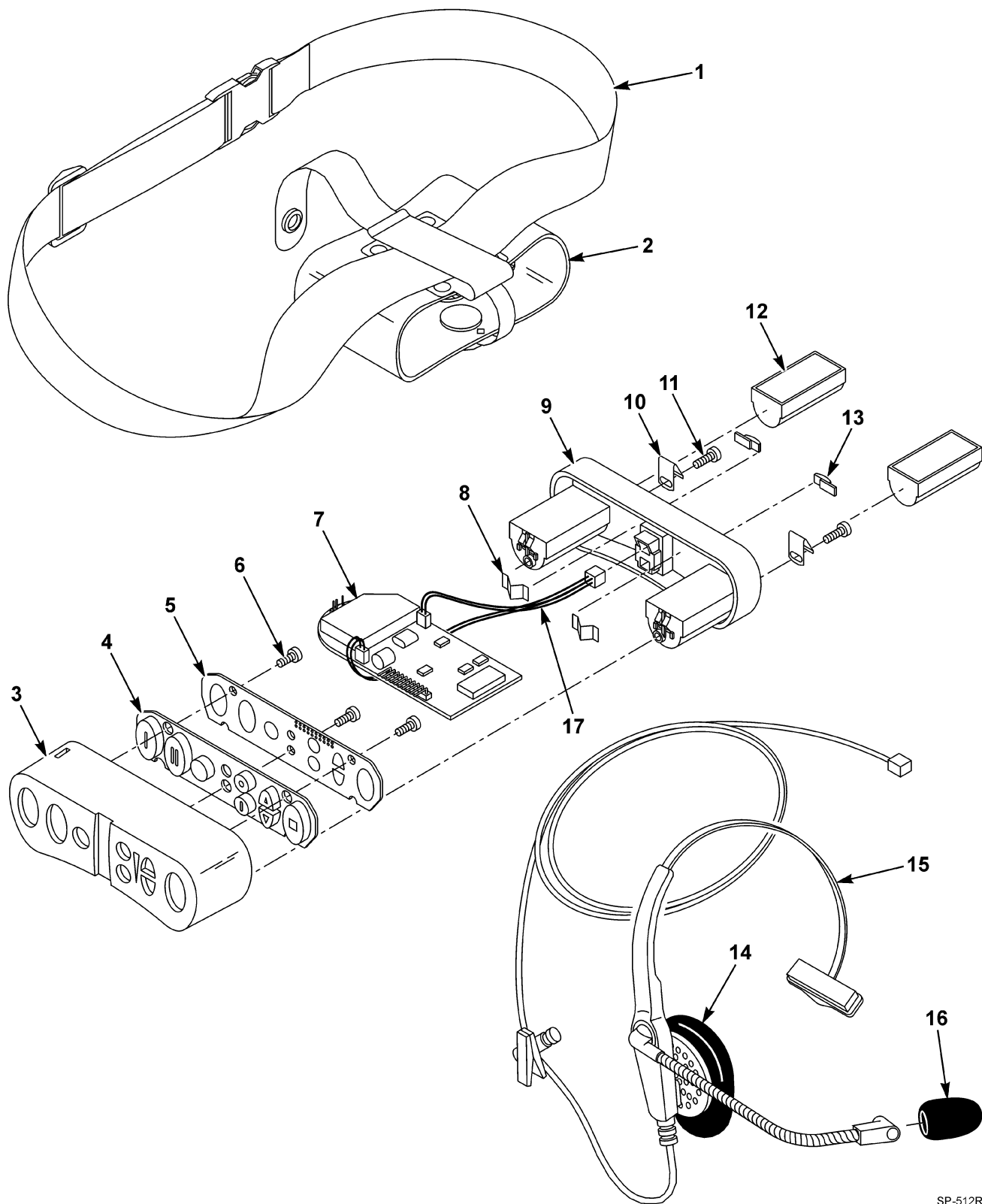
3-Slot Battery Charger



Interconnect Module

(this page intentionally left blank)

Belt Pack Assembly



SP-512R

Item No.	Part Number	Description	Qty.
1	78-8095-0528-8	BELT	1
2	78-8095-0531-2	POUCH	1
3	78-8095-0513-0	CASE, Top	1
4	78-8095-0515-5	KEYPAD	1
5	78-8095-0518-9	KEYPAD PWA	1
6	26-1014-7489-3	SCREW, Pan, Plastite, 6x1/4"	3
7	78-8095-0517-1	MAIN PWA	1
8	78-8095-0556-9	SPRING, Battery Release Button	2
9	78-8095-0536-1	CASE, Base Assembly (includes Battery Contacts)	1
10	78-8095-0517-1	SPRING, Battery Ejector	2
11	26-1014-7488-5	SCREW, Pan, Plastite, 6x16x3/8"	2
12	78-6911-4491-5	BATTERY ASSEMBLY	2
13	78-8095-0551-0	BUTTON, Battery Release	2
14	78-6911-4829-6	EAR PAD, Type III (Package of 10), Flex Boom	1
15	78-6911-4787-6	HEADSET, Type III C820 with Modular Plug, Flex Boom, Black	1
16	78-6911-4745-4	WINDSCREEN, Microphone (Package of 10)	1
17	78-8117-3959-4	HARNESS, Internal Modular Plug	1
18	78-6911-4710-8	C860/1025 SWITCH PROTECTOR (Not Shown)	1